

ZFJ

MIDDLE PRESSURE FAN

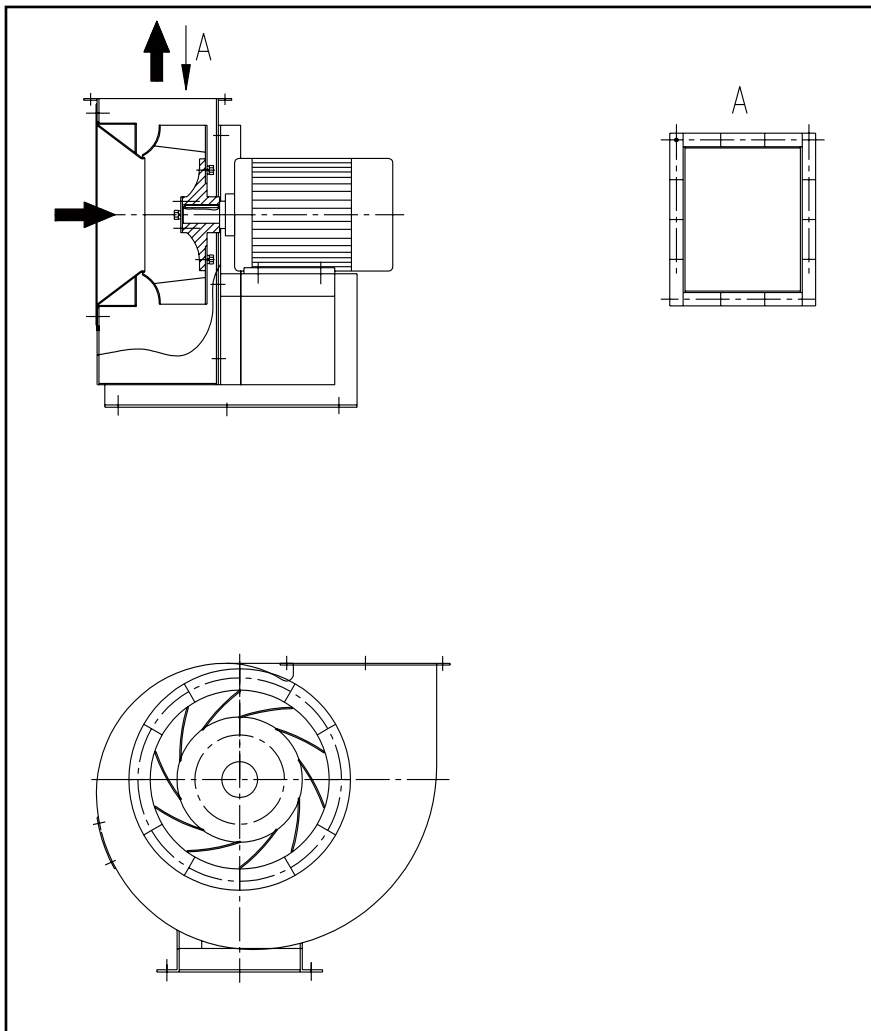
This MIDDLE PRESSURE FAN is constructed with compact carbon mild steel plates for both the rotor and casing. The rotor features optimized blade angles and radial-type blades, engineered to generate stable medium pressure for industrial applications.

Dynamically balanced and mounted on a cast iron central hub, it is directly driven by the motor shaft. The entire unit is enclosed in a dust-proof casing to ensure reliable, efficient, and durable operation in demanding environments.



info@g-grain.com

More details please visit www.g-grain.com and download



Model	Capacity (m ³ /h)	Pressure (Pa)	Power (kW)	Rotational Speed (r/min)
ZFJ-5-48-4.5A	3130-6540	2390-3300	7.5	2970
ZFJ-5-48-5A	4230-9005	2960-4250	11	2970
ZFJ-5-48-5.6A	6315-9030	4980-5360	18.5	2970
ZFJ-5-48-5.6A	9940-12570	3640-5360	22	2970
ZFJ-5-48-6.3A	8991-17897	4379-6604	30	2970