

YCD

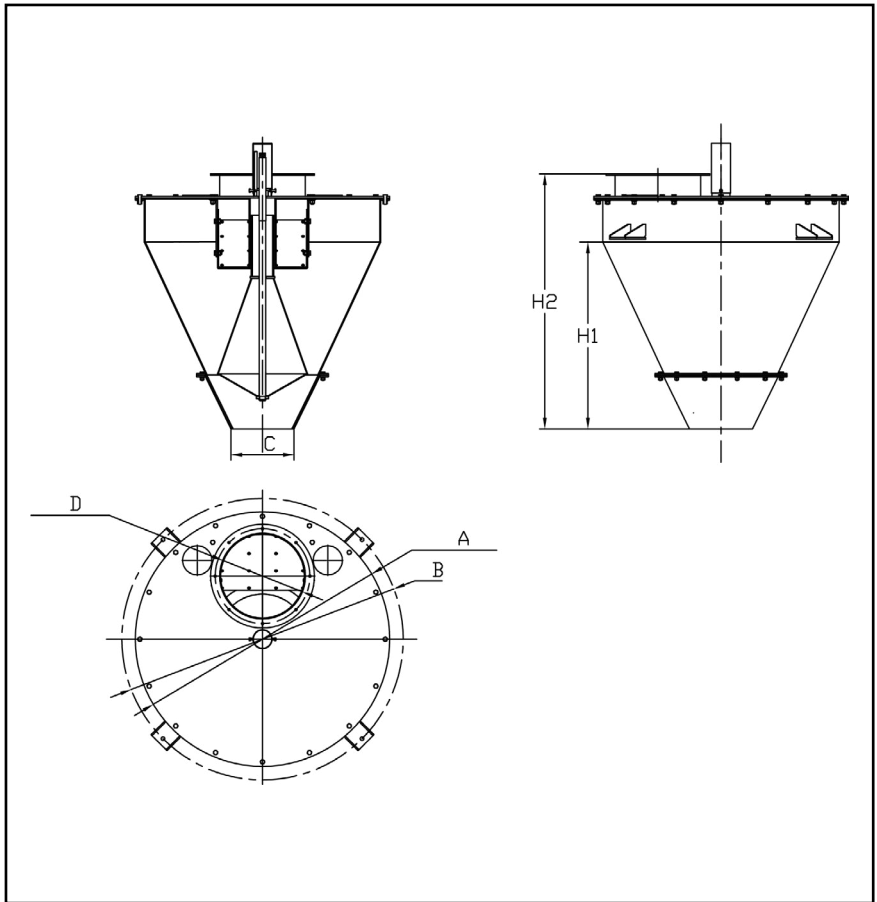
DUST SUPPRESSION HOPPER

This DUST SUPPRESSION HOPPER is primarily used for loading and discharging loose materials. It condenses the material into a controlled flow column for efficient transfer into cabins, trains, trucks, bins, and other containers. By minimizing airborne particles, it significantly reduces dust, enhances loading visibility, and improves air quality—making it an essential component for clean and safe bulk handling operations.



info@g-grain.com

More details please visit www.g-grain.com and download



Model	Capacity (Wheat) (t/h)	A	B	C	D	H1	H2
YCD-150	100-180	1250	1130	280	350×350	840	1130
YCD-200	180-250	1250	1130	350	380	770	1060
YCD-350	250-350	1500	1300	420	420×420	670	1416
YCD-800	800	1900	1800	750	800×800	880	2000