

WTJR/J

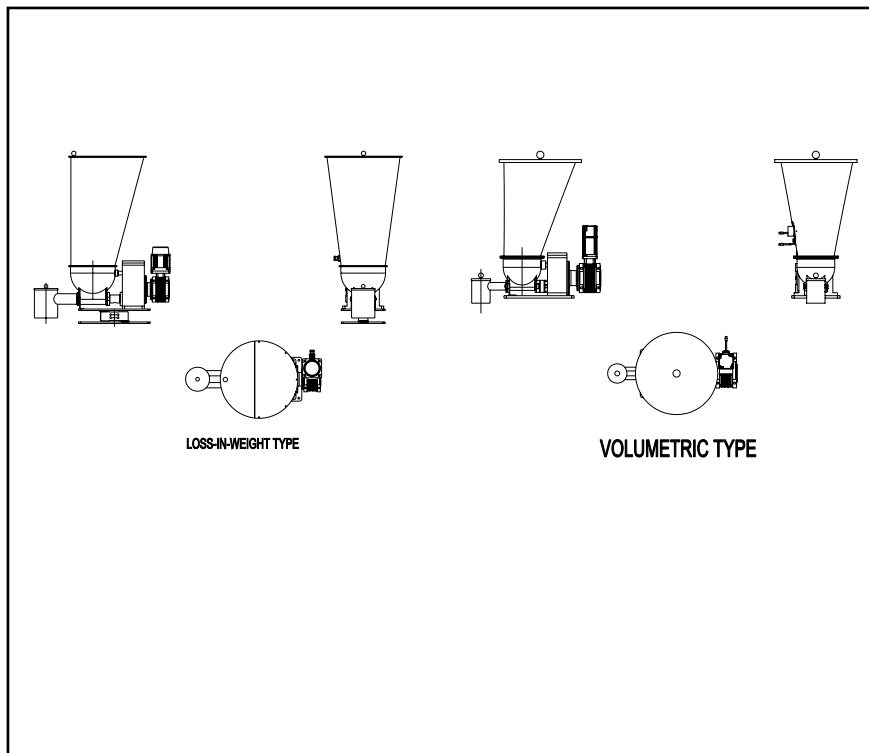
MICRO-FEEDER

This MICRO-FEEDER is used for the accurate addition of micro ingredients across processing industries. It continuously delivers additives at the desired proportions, ensuring consistent formulation and product quality. Suitable for feed, food, and other additive ingredient applications, it supports precise dosing and reliable performance in demanding production environments.



info@g-grain.com

More details please visit www.g-grain.com and download



Model	Type	Capacity (L/h)	Power (kW)
WTJR-20D	Volumetric single screw	1-40	0.4
WTJR-28D	Volumetric single screw	5-100	0.75
WTJR-38D	Volumetric single screw	30-300	1.1
WTJR-46D	Volumetric single screw	500-800	1.5
WTJR-20S	Volumetric twin screw	1-60	0.4
WTJR-28S	Volumetric twin screw	10-350	0.75
WTJR-38S	Volumetric twin screw	5-1400	1.5
WTJR-46S	Volumetric twin screw	300-1800	1.5
WTJJ-20D	Loss in weight single screw	1-40	0.4
WTJJ-28D	Loss in weight single screw	5-100	0.75
WTJJ-38D	Loss in weight single screw	30-300	1.1
WTJJ-46D	Loss in weight single screw	500-800	1.5
WTJJ-20S	Loss in weight twin screw	1-60	0.4
WTJJ-28S	Loss in weight twin screw	10-350	0.75
WTJJ-38S	Loss in weight twin screw	5-1400	1.5
WTJJ-46S	Loss in weight twin screw	300-1800	1.5

Note: Capacity needs to be determined according to the material conditions.