

TLD

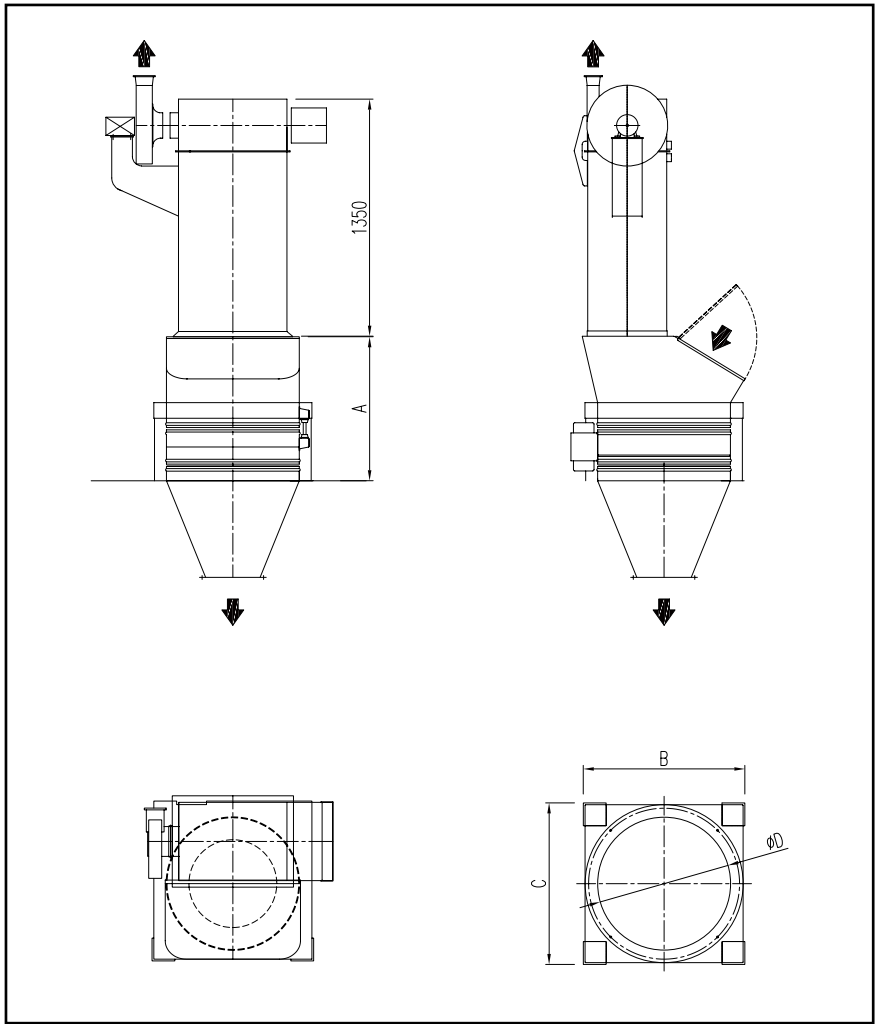
MANUAL DUMP HOPPER

This MANUAL DUMP HOPPER is widely used for unpacking, feeding, filtering, and discharging operations in the food, feed, pharmaceutical, and chemical industries. It is especially suitable for handling materials with poor fluidity, ensuring discharge smooth and effective filtration. The matched insert filter prevents dust leakage during unpacking and feeding, helping maintain a clean, pollution-free environment and ensuring production safety.



info@g-grain.com

More details please visit www.g-grain.com and download



Model	Diameter ΦD (mm)	Capacity (t/h)	Vibrating	A (mm)	B×C (mm)
TLD-75	$\Phi 750$	3-9	No	750	920×920
TLDZ-75	$\Phi 750$	3-9	Include	1000	920×920
TLD-100	$\Phi 1000$	5-15	No	750	1160×1160
TLDZ-100	$\Phi 1000$	5-15	Include	1000	1160×1160