

# WSCZ

## INFESTATION DESTROYER

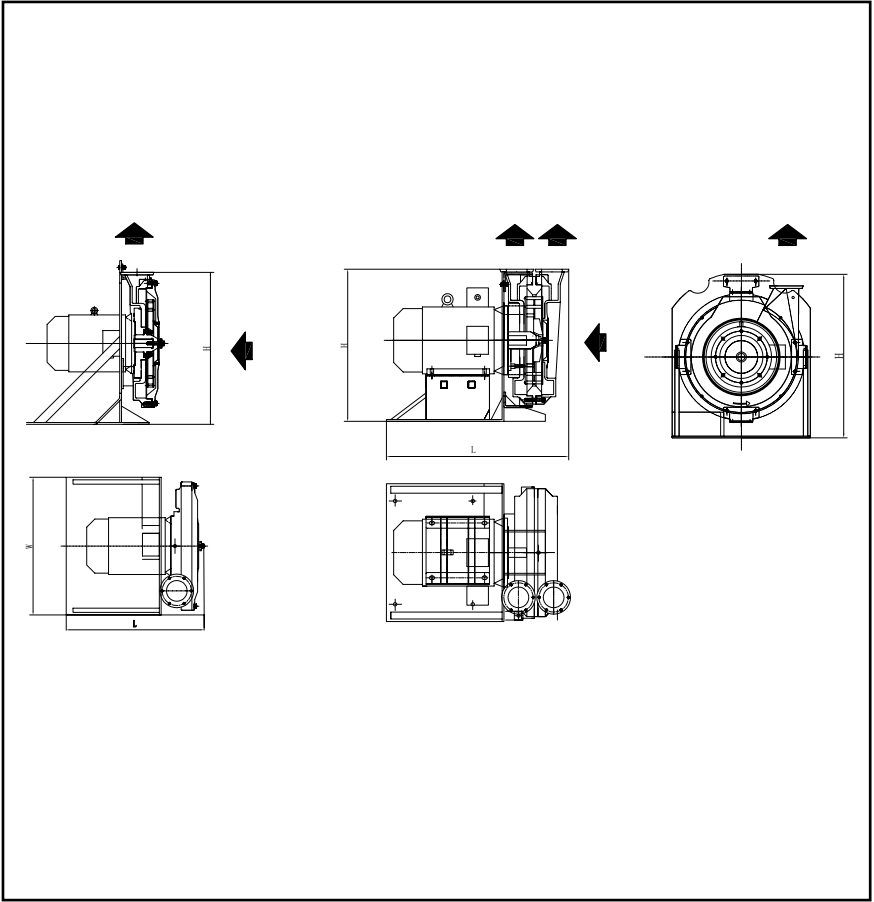
This INFESTATION DESTROYER is essential equipment for both large and small flour mills. It is used to eliminate live insects and insect eggs, helping to control infestation and prolong flour shelf life. The machine is installed within positive pressure blow lines leading to or from flour storage bins.

Engineered for high-speed operation with minimal vibration and noise, it features heat-treated components and carefully selected raw materials to ensure smooth running, low maintenance, and long service life.



[info@g-grain.com](mailto:info@g-grain.com)

More details please visit [www.g-grain.com](http://www.g-grain.com) and download



Model	Rotor Diameter (mm)	Power (kW)	Capacity (t/h)	Dimensions L×W×H (mm)
WSCZ-43	Φ430	3	1.5	574×670×882
	Φ430	4	2	574×670×882
	Φ430	5.5	2.5	574×670×882
	Φ430	7.5	3.5	574×670×882
WSCZ-51	Φ510	11	5	799×800×950
	Φ510	15	7.5	799×800×950
	Φ510	18.5	9	799×800×950
	Φ510	22	11	799×800×950
WSCZ-51D	Φ510	30	15	1056×800×883
	Φ510	37	18	1056×800×883
	Φ510	45	22	1056×800×883
	Φ510	55	27	1151×800×883
WSCZ-51DK	Φ510	75	35	1296×900×1048
	Φ510	90	45	1296×900×1048