

# GFJ

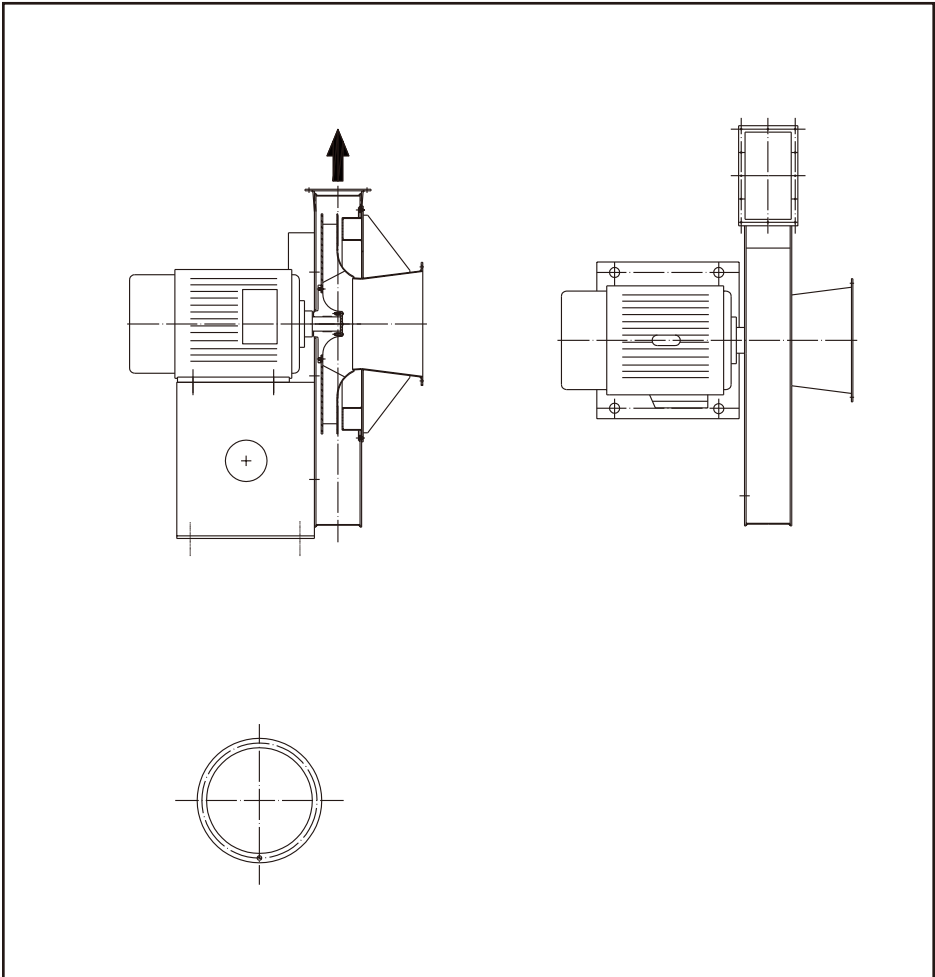
## HIGH PRESSURE FAN

Los rotores low and high pressure fan casings are built in carbon mild steel compact plate. Fan rotors of suitable blade angle with radial type blades and a rotor fan for low-pressure and high-pressure generation specially designed for industrial applications, dynamically balanced mounted on cast iron central hub driven directly from the motor shaft with a dust proof casing.



[info@g-grain.com](mailto:info@g-grain.com)

More details please visit [www.g-grain.com](http://www.g-grain.com) and download



Model	Capacity (m <sup>3</sup> /h)	Total pressure (mmH <sub>2</sub> O)	Power (kw)	Rev (r/min)
GFJ-7.3-1.5	12953-7698	912-972	37	2950
GFJ-7.7-1.5	14620-7840	1018-1064	45	2970
	17580-14620	928-1018	55	2970
GFJ-8-1.8	16007-10034	1113-1131	55	2970
	20087-16007	1017-1113	75	2970
GFJ-8.2-2	19113-8916	1223-1285	75	2970
GFJ-8.4-1.4	13730-8500	1155-1240	55	2970
	13077-13730	995-1155	75	2970
GFJ-8.4-2	20813-11755	1115-1238	75	2970
	24520-20813	991-1115	90	2970