

# FQSZ

## DESTONER

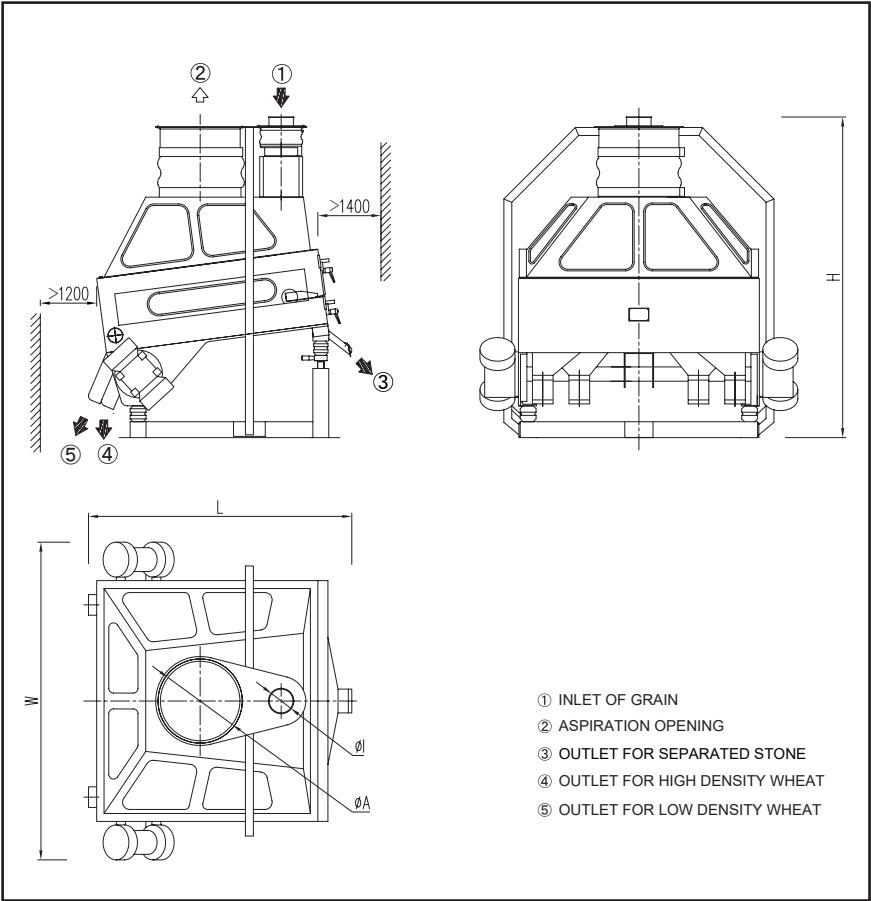
This DESTONER is a key wheat cleaning machine used in the milling process. It plays a vital role in grading after pre-cleaning—concentrating light impurities such as mustard seeds, grass seeds, and wheat husks, while effectively removing heavy contaminants like stones and mud balls.

The FQSZ series is also suitable for second-stage cleaning when wheat contains a high level of impurities—ensuring thorough separation and improved grain quality.



[info@g-grain.com](mailto:info@g-grain.com)

More details please visit [www.g-grain.com](http://www.g-grain.com) and download



Model	Capacity (t/h)		Power (kW)	Aspiration Volume (m <sup>3</sup> /min)	Dimensions (L×W×H) (mm)
	Wheat	Paddy/Maize			
FQSZ-80	6-9	4.5-6.5	0.25×2	110	1660×1226×2028
FQSZ-100	8-11	6-8	0.55×2	140	1660×1426×2028
FQSZ-125	12-15	8-11	0.55×2	185	1660×1676×2028
FQSZ-150	15-18	11-13	0.68×2	230	1660×2000×2028
FQSZ-180	17-22	12-16	0.68×2	280	1660×2300×2028