

LBZD

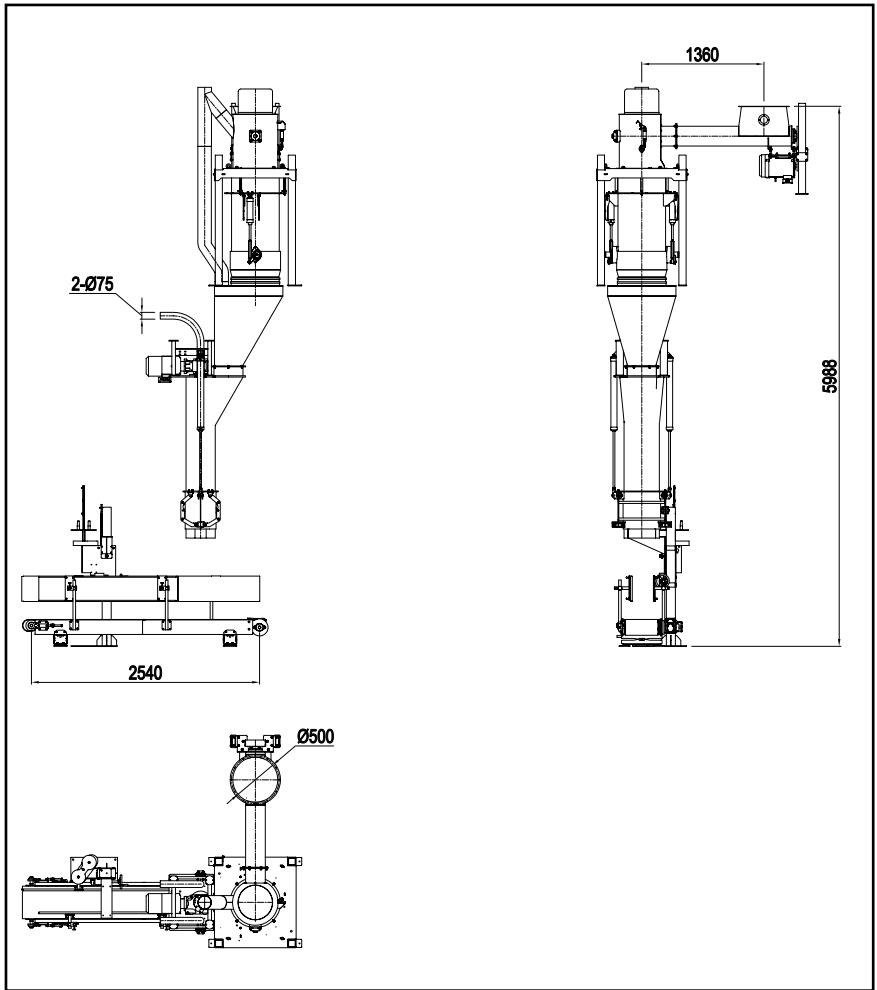
AUGER PACKER

This AUGER PACKER is utilized for non-free-flowing bulky products such as bran. It is designed to handle large-format bags with widths of at least 700 mm and lengths ranging from 1000 to 1400 mm. The auger mechanism ensures consistent filling performance for challenging materials, making it ideal for high-volume packing operations in the grain and feed industries.



info@g-grain.com

More details please visit www.g-grain.com and download



| Model | Capacity (bag/h) | Aspiration Volume (NI/bag) | Power (kW) |
|---------|------------------|----------------------------|------------|
| LBZD-50 | 280-300 | 44 | 4+4 |

Note: The packing speed depends on the weighing system, package weight, material, and operator.