

LGB

CHAIN CONVEYOR

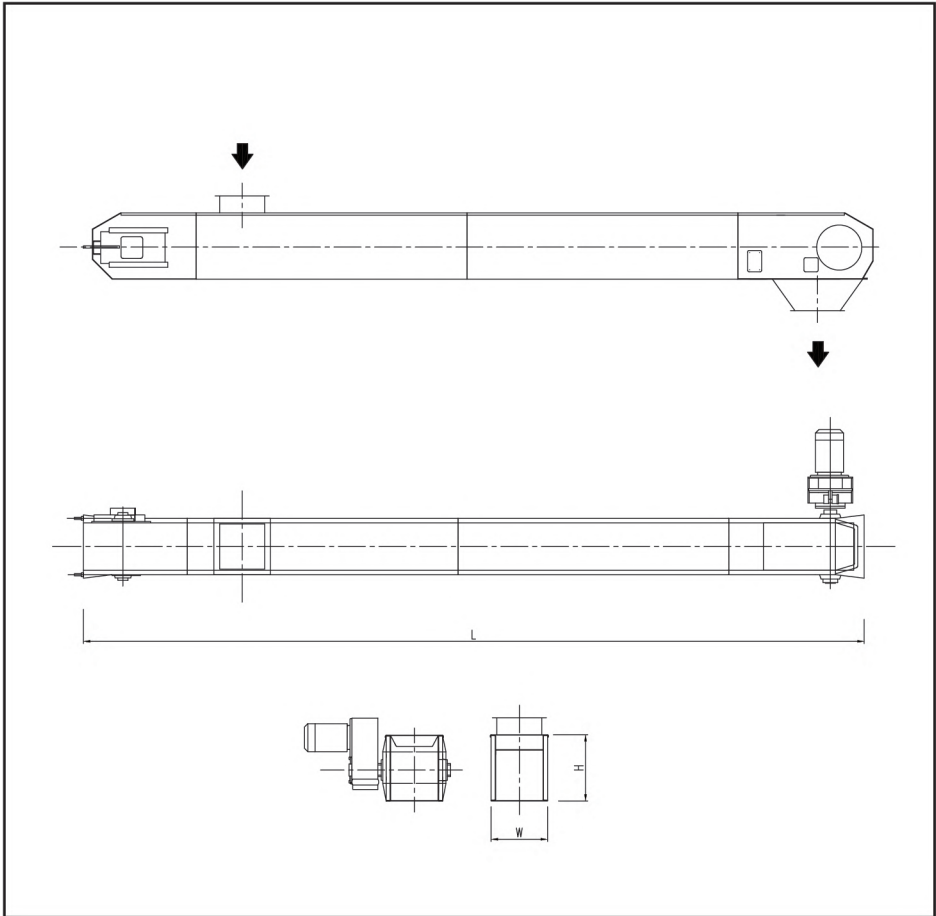
LGB series chain conveyor is bulk material conveyor with capability of high capacity and long distance delivery. It is widely used for all kinds of material such as grains, flour, bran etc.



GOLDEN GRAIN

info@g-grain.com

More details please visit www.g-grain.com and download



Model	Width of casing (mm)	Chain Speed (m/s)	Capacity (m ³ /h)	Max Length (m)	Outline size W×H×L (mm)
LGB-16	160	0.3-0.6	20-40	40	240×300×L
LGB-20	200	0.3-0.6	35-70	40	280×350×L
LGB-25	250	0.3-0.6	45-90	40	330×370×L
LGB-32	320	0.3-0.6	80-160	50	400×500×L
LGB-40	400	0.3-0.6	130-260	50	492×590×L
LGB-50	500	0.3-0.7	170-400	60	592×690×L
LGB-63	630	0.3-0.7	270-630	60	722×730×L
LGB-80	800	0.4-0.8	550-1100	80	892×880×L