

ZBZ

CAROUSEL PACKER

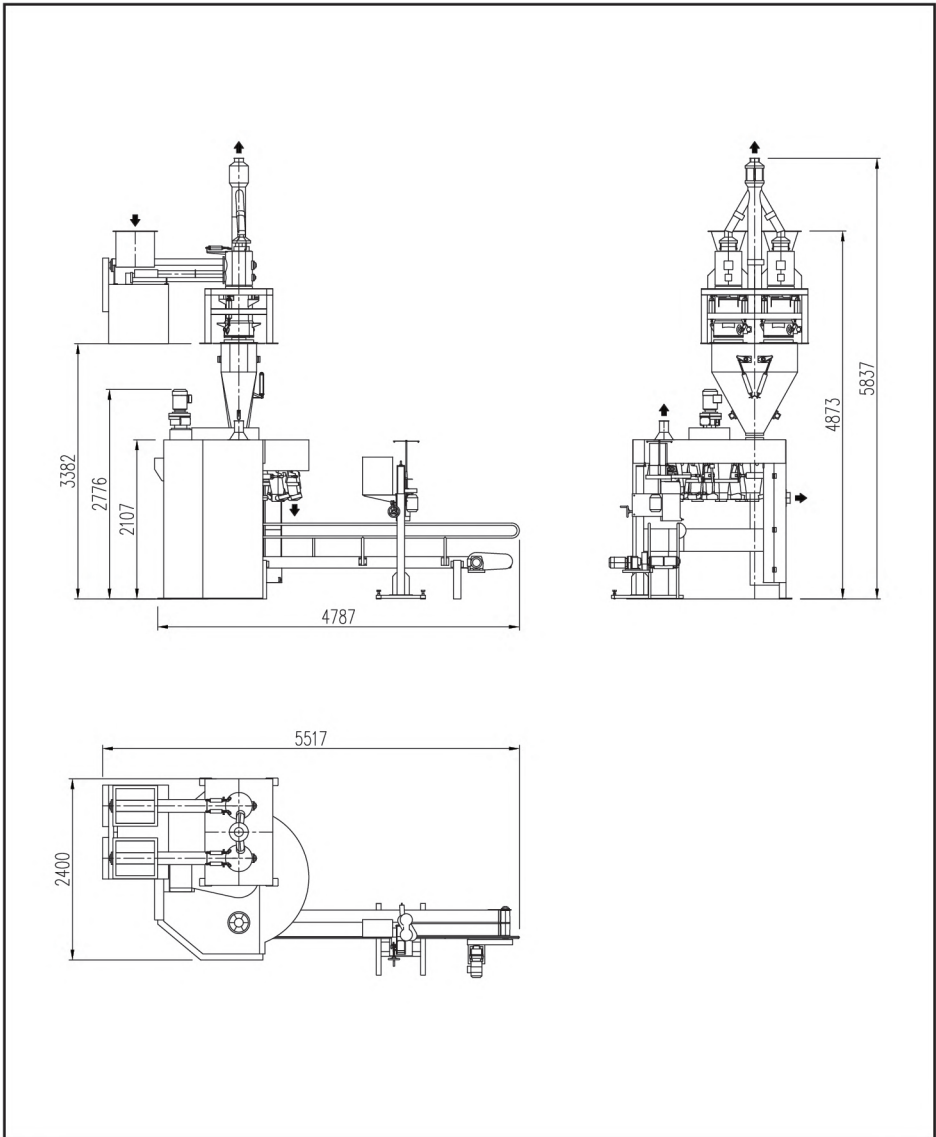
ZBZ series carousel packer is composed of weight-in-loss scales, feeding screw conveyor, carousel rotary table, sensors, bag clamp holder, posser, sewing machine, bag conveyor, electronic and pneumatic control unit. It is widely used for automatic weighing process of powdery material to achieve high speed packing, automatic target weight control, filling, sewing with operator assistance and conveying. The vibration of unloading device makes sure the material discharge smoothly. With rotary multi-spouts, it allows the operator stand in the same position and clamp the bag to the spout without moving or waiting for filling, so as to improve the efficiency furthest.



GOLDEN GRAIN

info@g-grain.com

More details please visit www.g-grain.com and download



Model	Bag spouts	Angular increment	Bag weight(kg)	Weighing speed(bags/h)	Power (kw)
ZBZ-4	4	90°	10~50	Up to 700	5.5×2+3+0.75+0.37
ZBZ-6	6	60°	10~50	Up to 900	5.5×2+2.2×2+3+0.75+0.37

Note: Packing speed depends on the weighing system, packed weight, packed material and operators